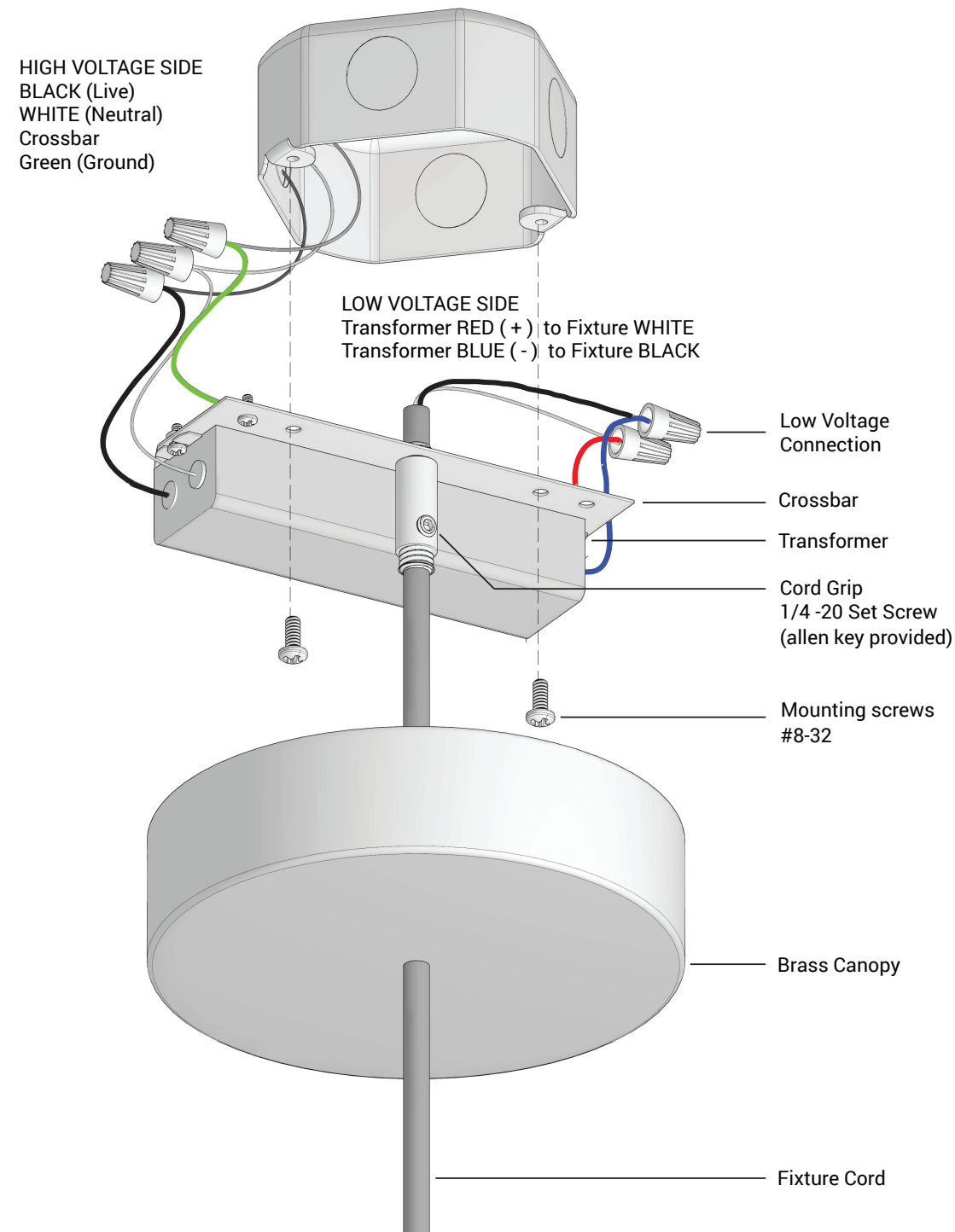


# JUPITER

## INSTALLATION GUIDE - DIAGRAM



# JUPITER

## INSTALLATION GUIDE - INSTRUCTIONS

- 1) Shorten the fixture cord to the desired length, cutting from ceiling side of the cord. Cord should not be trimmed on the side it connects to the fixture.
- 2) Strip 1.5" of the fabric cord and outer insulation, taking care not to cut the insulation of the interior black and white wires.
- 3) Strip .75" from the ends of the black and white wires, exposing the copper.
- 4) Use a cigarette lighter to manage any frayed nylon fabric. Scotch tape or packing tape works as well.
- 5) Verify that the electricity at the fixture hanging location is turned off at the fuse.
- 6) Check that nuts holding the cord grip to the cross bar are firmly tightened. Check that the nuts holding the transformer to the cross bar are firmly tightened. Check that the nut holding the ground wire to the cross bar is firmly tightened.
- 7) Attach the crossbar and transformer assembly to the junction box and electrical wires as shown.
- 8) Thread the fixture wire through the canopy and cord grip on the cross bar assembly.
- 9) Tighten the set screw on the cord grip using the allen key provided.
- 10) Attach the transformer's red (+) and blue (-) low-voltage wires to the fixture's white (+) and black (-) wires as shown.
- 11) DOUBLE CHECK the electrical connections! Mis-wiring may destroy the fixture, transformer or both, and may cause an electrical safety hazard!**
- 12) Power on the fixture and test dimming (if installed).
- 13) Low-voltage ELV dimmers perform best. Lutron Diva ELV is recommended. Standard triac dimmers will work as well but may not perform as well as ELV dimmers on the low-brightness settings.

### Cleaning Instructions:

Do not clean the fixture while turned on.  
Clean off dust with slightly damp cloth. Avoid getting water droplets on the fixture.  
Clean off finger prints and grease with a cloth moistened with alcohol or acetone.  
Do not apply alcohol, acetone or other solvents to the fixture directly.

### Parts List:

- (1) Jupiter Pendant fixture
- (1) Brass canopy
- (1) Cross bar assembly with cord grip and transformer
- (4) Wire nuts
- (1) 1/8" allen key
- (2) Extra brass barrel nut hardware sets
- (2) 8-32 1/2" screws
- (1) Aluminum key for brass hardware